

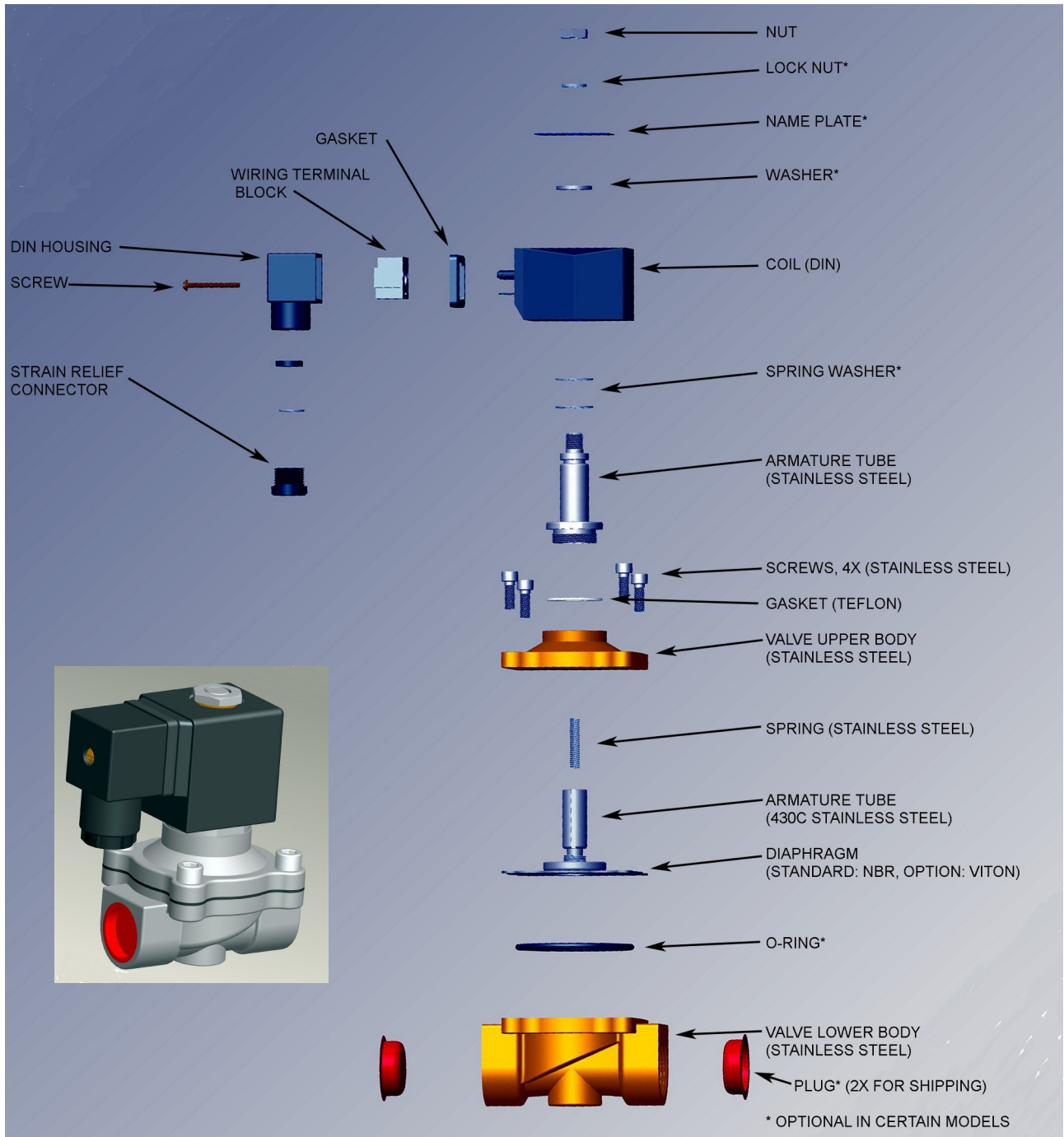
STC 2SO160-500 Series Solenoid Valves



2SO160-500 Series Solenoid Valve Specifications

Valve Model	2SO160-3/8	2SO160-1/2	2SO200-1/2	2SO250-1	2SO350-1 1/4	2SO400-1 1/2	2SO500-2
Valve Type	2 Way, Normally Open (NO)						
Action	Direct Lift Diaphragm, Uni-Directional						
Orifice (mm)	16	16	20	25	35	40	50
Operating Pressure	0 to 90 PSI						
Proof Pressure	300 PSI						
Operating Temperature	Media: -5 to 80°C; Ambient: -5 to 45°C						
Port Size (NPT)	3/8"	1/2"	3/4"	1"	1 1/4"	1 1/2"	2"
Body Materials	STAINLESS STEEL						
Seal Materials	NBR (Buna N), Options: Viton						
Coil Duty	Class H, IP65, 100% ED						
Voltage	Voltage Options: 12, 24VDC; 24, 110/120, 220/240 VAC, 50/60Hz						
Voltage Tolerance	10% of Specified Voltage						
Coil Power (Coil Shape)	30-35W (Rectangular)				35-40W (Round)		
Electrical Connections	DIN 43650, Form A						
Installation	No Orientation Requirement (Optimum Position: Flow Horizontal and Solenoid Vertical)						
Service	Air, Inert Gas, Liquid, Vacuum						

2S160-500 SERIES SOLENOID VALVE COMPONENTS



Installation and Operation:

To connect the valve Inlet and Outlet:

Connect the inlet and outlet in the direction of the arrow marked on the valve.

To install coil:

Put the coil onto the armature tube of the valve. Put the lock-washer and nut onto the armature tube. Hand tighten the nut, then use a wrench to tighten the nut to a quarter turn; **do not over-tighten the nut, it may cause the armature tube to fail pre-maturely.**

To connect DIN coil:

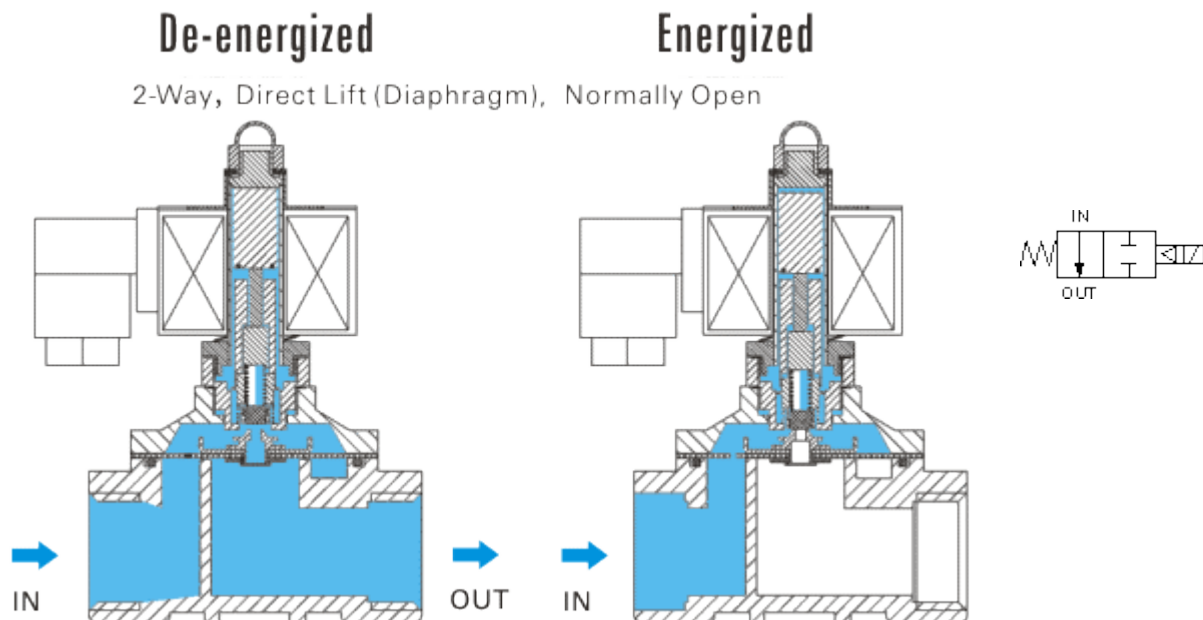
1. Remove the Philip screw from the plastic housing and unplug it from the DIN coil.
2. From the screw opening, push the terminal block out from the plastic housing.
3. Note the 1, 2 and ground markings on underside of DIN enclosure.
4. For DC DIN Coil, Connect 1 to Positive, 2 to Negative.
5. For AC DIN Coil, connect 1 to HOT wire, 2 to Neutral wire, and if required connect

Note: Standard valves are supplied with continuous duty coils. The proper class of insulation for the service is indicated on the coil. The coil temperature may become hot after being energized for extended periods, but it is normal. Smoke or burning odor indicates excessive coil temperature and should disconnect the power to the coil immediately.

Operation: 2SO160-500 series valve is a 2/2 Direct Lift Diaphragm Normally Open, zero differential, solenoid valve.

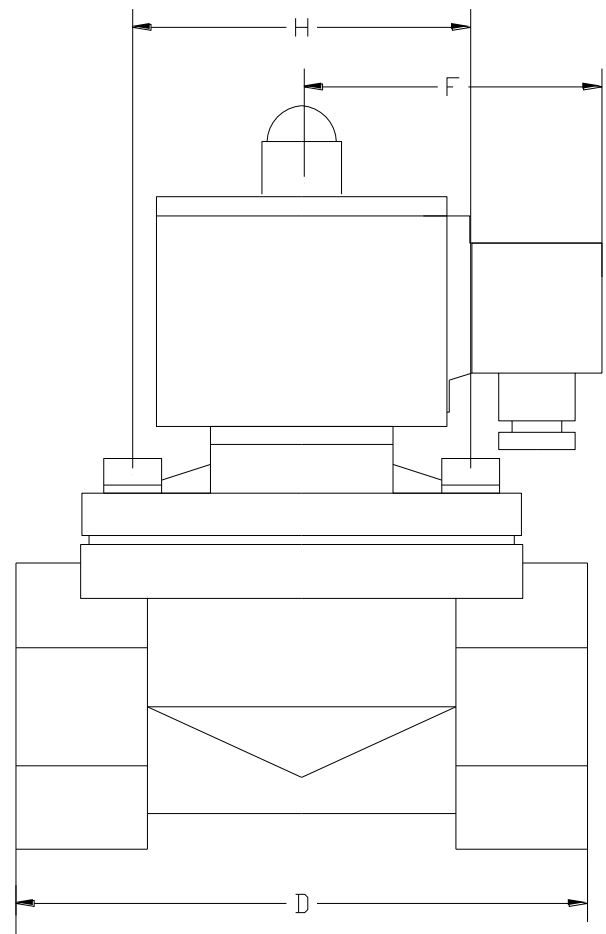
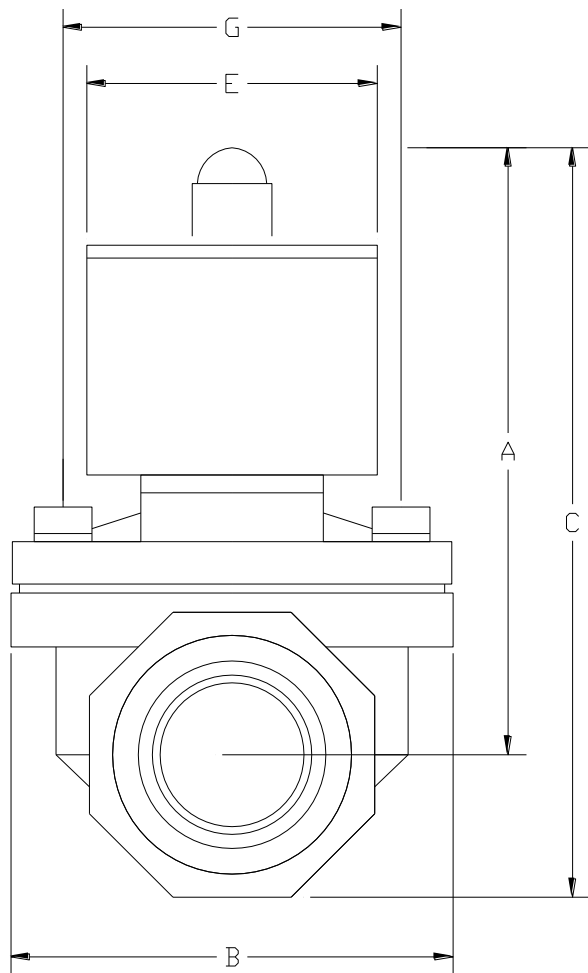
To close: when the valve is energized, the coil repels the plunger. Then the plunger covers the main orifice. The system pressure builds up on the top of the diaphragm/piston through the bleed orifice, forcing the diaphragm/piston down until it covers the main orifice and stops media flow through the valve. When the system pressure is 0 PSI, the valve also can be operated.

To open: when the valve is de-energized, the coil releases the plunger. The plunger uncovers the pilot orifice causing system pressure holding the diaphragm/piston closed to drop. As system pressure on the top of the diaphragm/piston is reduced, full system pressure on the opposite side of the diaphragm/piston acts to lift the diaphragm/piston away from the main orifice, which allows the full media flow through the valve. When the system pressure is 0 PSI, the valve also can be operated.



2S160-500 Series Solenoid Valve Installation Dimensions

2W160-500 SERIES SOLENOID VALVE DIMENSIONS (MM)									
PORT (NPT)	A	B	C	D	E	F	G	H	WT. (LB)
3/8"	86.6	57	101	69	36	56	43	43	1.6
1/2"	86.6	57	101	69	36	56	43	43	1.8
3/4"	91.8	57	111	73	36	56	43	43	1.8
1"	98	71	118	99	36	56	60	60	3.2
1 1/4"	131	94	162	123	63.5	66.5	70	70	5.7
1 1/2"	142.0	95	172	123	63.5	66.5	70	70	5.7
2"	172.0	123	209	168	63.5	66.5	91	91	9.9



Terms and Conditions

By purchasing from SIZTO TECH CORPORATION (STC), you agree to these TERMS AND CONDITIONS. No other terms shall apply except as agreed in writing signed by us. We reserve the right to correct typographic errors and reject orders.

SHIPMENTS:

All shipments are F.O.B. 892 Commercial Street, Palo Alto, CA 94303, USA. Most orders are shipped via UPS Standard Ground unless instructions accompany order. Outside the UPS zones, shipment will be made Best Way. The responsibility for goods delay, lost or damaged in transit rests with the carrier and purchaser. Purchaser may purchase shipping insurance to cover lost or damaged products caused by shipping.

RETURN OF MERCHANDISE:

No merchandise is accepted for return 30 days after delivery date. No credit allowed on merchandise shipped as ordered and returned without obtaining an authorization number IN ADVANCE. A 20% restocking charge applies to all returns, and transportation charges must be fully prepaid. We will pay **ground** transportation charges on re-sent or returned merchandise due to STC's error.

Shortages & Mis-Shipments: Any shortages or mis-shipment must be reported within 15 days.

CANCELLATION POLICY:

Blanket order can be canceled 90 days before scheduled ship date. There will be a 10% charge if a blanket order is cancel within 90 days of scheduled ship date, and a 20% charge if cancel within 60 days. Regular order for non-custom parts can be canceled any time before the order is shipped. For custom parts, a 30% down payment is required either at the time of order or 90 days prior to scheduled ship date, whichever comes later.

Remittances should be sent to:

Sizto Tech Corporation, 892 Commercial Street, Palo Alto, CA 94303, USA

Credit Card Payments: Visa, MasterCard, Discover, or American Express Accepted

International Customers: Advance Payment Required via Bank Wire, Cashier's Check or Approved Credit Card.

Credit Application: To establish a net 30 day account, please mail or fax three trade references with complete mailing addresses and account numbers.

LIMITED WARRANTY – IMPORTANT NOTICE TO PURCHASER:

Sizto Tech Corporation (STC) only warrants this product to be free from defects in materials and workmanship at the time of shipment. This limited warranty expires one year after delivery to the end-user. STC's entire obligation to the Purchaser for breach of this limited warranty shall be limited to replacement of the defective product or refund of the original purchase price of this product, at STC's option. Purchaser has thirty (30) days to return the goods after STC has agreed to accept the return. All freight charges on returned material shall be paid by the Purchaser. STC's limited warranty shall not apply, however, to the product that have been subjected to misuse, alteration, accident or negligence during handling or storage.

DISCLAIMER OF IMPLIED WARRANTIES:

All implied warranties, which may arise by implication of law or application of course of dealing or usage of trade, including, but not limited to, implied warranties of merchantability or fitness for a particular purpose are expressly excluded. There are no warranties, which extend beyond the description of the faced hereof. The end user is solely responsible for the suitability and fitness of this product selected for a particular application.

OBLIGATIONS

You warrant, represent and agree: (1) to comply with all laws; (2) that our sale and shipment of the product will not, by export thereof, your legal status or otherwise, cause us to violate any law; and (3) to indemnify us against any losses from a failure by you or a third party to comply with law or these terms and conditions, or from use of the product.

SAFETY WARNING

Failure or improper selection or improper use of the components and products described herein or related items can cause death, personal injury and/or property damage. This document and other related information from STC provide products options for further investigation by users having the technical expertise. It is important that you analyze all aspects of your application and review the information concerning the component or product in the current catalog. Due to the variety of operation conditions and applications for these components or products, the user, through his own analysis and testing, is solely responsible for making the final selection, installation and maintenance of the products and assuring that all performance, safety and warning requirements of the application are met. All products set-ups and maintenance require the supervision of a qualified individual who is familiar with installation, inspection and testing through training or experience.

IMPORTANT NOTICE:

The products described herein, including without limitation, product features, specifications, design, availability and pricing, are subject to change without notice. We continuously improve the products, and we reserve the right to change specifications without incurring any obligation to incorporate new factors in equipment previously sold.



Sizto Tech Corporation

892 Commercial Street
Palo Alto, CA 94303 USA

Tel: 650-856 8833 | Fax: 650-856 8811

Email: Sales@StcValve.com; www.StcValve.com